



VAR

“Z” Foil Audio Resistor

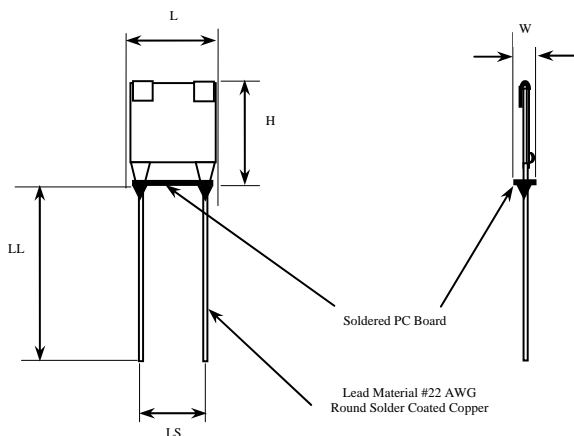


RoHS
COMPLIANT

FEATURES

- Typical Temperature Coefficient of Resistance: 0.05 ppm / °C (0 °C to +60 °C, 25 °C as reference).
- Electrostatic discharge (ESD) up to 25,000 V.
- Power Rating: 0.4W @ +70 °C; 0.2W @ +125 °C
- Load Life Stability: to ± 100 ppm (at 70 °C, 2,000 hours rated power).
- Resistance Tolerances Available: ± 0.01% to 1.0% depending upon resistor value. (See table below).
- Resistance Range: 10Ω to 100KΩ.
- Non-inductive, non-capacitive design.

Value Range	Max. Voltage	Power Rating	Dimensions in inches	Tightest Tolerances Available
10Ω to 100KΩ	200 V	@+70°C @125°C 0.4 W 0.2W Derate to: 0 watts at 175 °C	W: 0.080 Max. L: 0.250 Max. H: 0.310 Max. LL: 1.000 ±0.125 LS: 0.150 ±0.005	±0.01%: 50Ω-100KΩ ±0.02%: 10Ω-50Ω



PLEASE NOTE!

This product is fragile and may be damaged if mishandled.

HOW TO ORDER:

MODEL	TERMINATION FINISH	VALUE	TOLERANCE
VAR	Lead Free: T	10 OHMS TO 100K OHMS	0.01% TO 1.0%
	Tin/lead: BLANK		

To order a VAR resistor, lead free terminations with a 20,001 ohms value and a 0.01% tolerance, the ordering information would be:

VART 20K001 0.01%